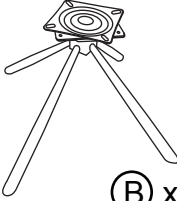
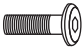
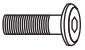

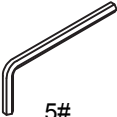
 <p>(A) x1</p>	 <p>(B) x1</p>		
 <p>M6x16mm ①x2</p>	 <p>M6x20mm ②x2</p>	 <p>③x4</p>	 <p>5# ④x1</p>		

